

Product Obsolescence Memo

INDUCTIVE COMPONENTS



May, 2013

Select Models of the SRE6603 Shielded Power Inductor Series to be Discontinued

Bourns will be discontinuing select models from the [Model SRE6603](#) Shielded Power Inductor Series. A lack of sales volume and diminishing demand necessitates this action.

Obsolete part numbers and replacement part numbers are listed below. The replacement part numbers have the same form and function but the fit of the [Model SRR6603](#) Series may be slightly taller (3.00 mm max.) than the Model SRE6603 Series (2.92 mm max.). The product dimensions are shown in Figure 1 on page 2.

Obsolete Part Number	Replacement Part Number
SRE6603-1R0M	SRR6603-1R0ML
SRE6603-1R5M	SRR6603-1R5ML
SRE6603-2R2M	SRR6603-2R2ML
SRE6603-3R3M	SRR6603-3R3ML
SRE6603-4R7M	SRR6603-4R7ML
SRE6603-6R8M	SRR6603-6R8ML
SRE6603-100M	SRR6603-100ML
SRE6603-150M	SRR6603-150ML
SRE6603-220M	SRR6603-220ML
SRE6603-330M	SRR6603-330ML
SRE6603-470M	SRR6603-470ML
SRE6603-680M	SRR6603-680ML
SRE6603-101M	SRR6603-101ML
SRE6603-151M	SRR6603-151ML
SRE6603-221M	SRR6603-221ML
SRE6603-331M	SRR6603-331ML
SRE6603-471M	SRR6603-471ML
SRE6603-681M	SRR6603-681ML
SRE6603-102M	SRR6603-102ML

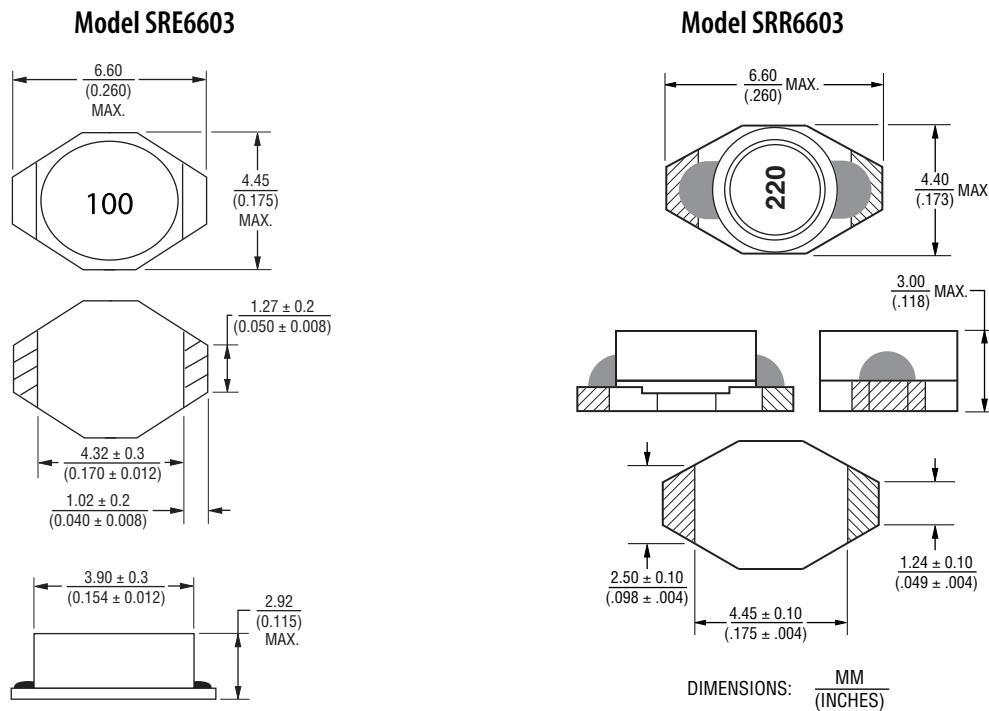


Figure 1: Product Dimensions

Please plan for the following deadlines:

Last Time Buy Date: December 31, 2013

Last Time Ship Date: March 31, 2014

Should you have any questions or need additional information, please feel free to contact [Customer Service/Inside Sales](#).